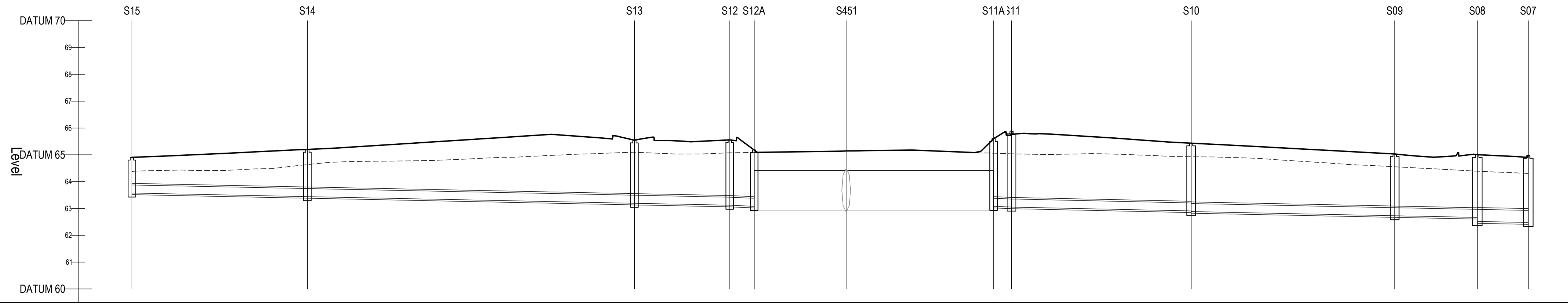
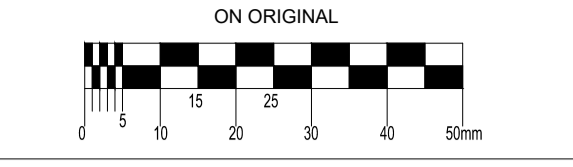


SCALE: H 1:500,V 1:100. DATUM: 60.000



COVER LEVEL	64.905	65.198	65.543	65.555	65.578	64.492	65.801	65.881	66.433	65.031	65.004	64.971
INVERT LEVEL	63.575	63.441	63.193	63.120	63.080	63.080	63.080	63.052	62.907	62.729	62.516	62.477
DEPTH (m)	1.330	1.757	2.350	2.435	2.088	0.000	2.522	2.829	2.560	2.303	2.489	2.494
DISTANCE (m)		32.72	60.97	17.77	4.56	17.15	27.49	3.34	33.50	37.93	15.40	9.51
PIPE SLOPE		1.245	1.245	1.245	1.112	Horizontal	Horizontal	1.119	1.231	1.245	1.245	1.245
PIPE SIZE		300mm	300mm	300mm	300mm	1200mm	1200mm	300mm	300mm	300mm	450mm	450mm

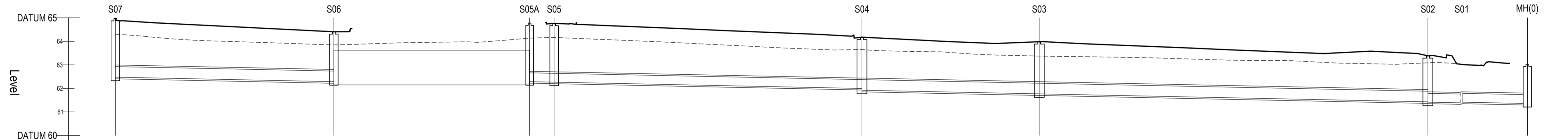


ON ORIGINAL
 © COPYRIGHT OF THIS DRAWING IS RESERVED BY DBFL CONSULTING ENGINEERS. NO PART SHALL BE REPRODUCED OR TRANSMITTED WITHOUT THEIR WRITTEN PERMISSION.
 NO CHANGES OF WHATSOEVER NATURE ARE TO BE MADE TO ANY DETAILS SET OUT OR CONTAINED IN ANY DBFL SPECIFICATIONS OR DRAWINGS UNLESS THE EXPRESS CONSENT HAS BEEN OBTAINED IN ADVANCE, IN WRITING, FROM DBFL.

- NOTES:
- ALL DRAWINGS TO BE CHECKED BY CONTRACTOR ON SITE AND ENGINEER INFORMED OF DISCREPANCIES BEFORE WORK COMMENCES
 - ALL LEVELS ARE IN METRES AND ARE RELATED TO ORDINANCE DATUM
 - CONTRACTOR SHALL SATISFY HIMSELF AS TO THE ACCURACY OF PAVEMENT LEVELS ON SITE PRIOR TO COMMENCEMENT OF WORKS ON SITE
 - ALL WORKS TO BE CONSTRUCTED IN ACCORDANCE WITH THE NRA SPECIFICATION FOR ROAD WORKS UNLESS NOTED OTHERWISE
 - THIS DRAWING IS FOR PLANNING PURPOSES ONLY
 - MANHOLE COVER LEVELS ARE TO CONFORM WITH FINISHED ROAD AND PATH LEVELS
 - WHERE COVER TO PIPE IS LESS THAN 1200mm (ROAD/PATH/VERGE) OR 900mm (OPEN SPACE) SURROUND PIPE IN MINIMUM 150mm CONCRETE

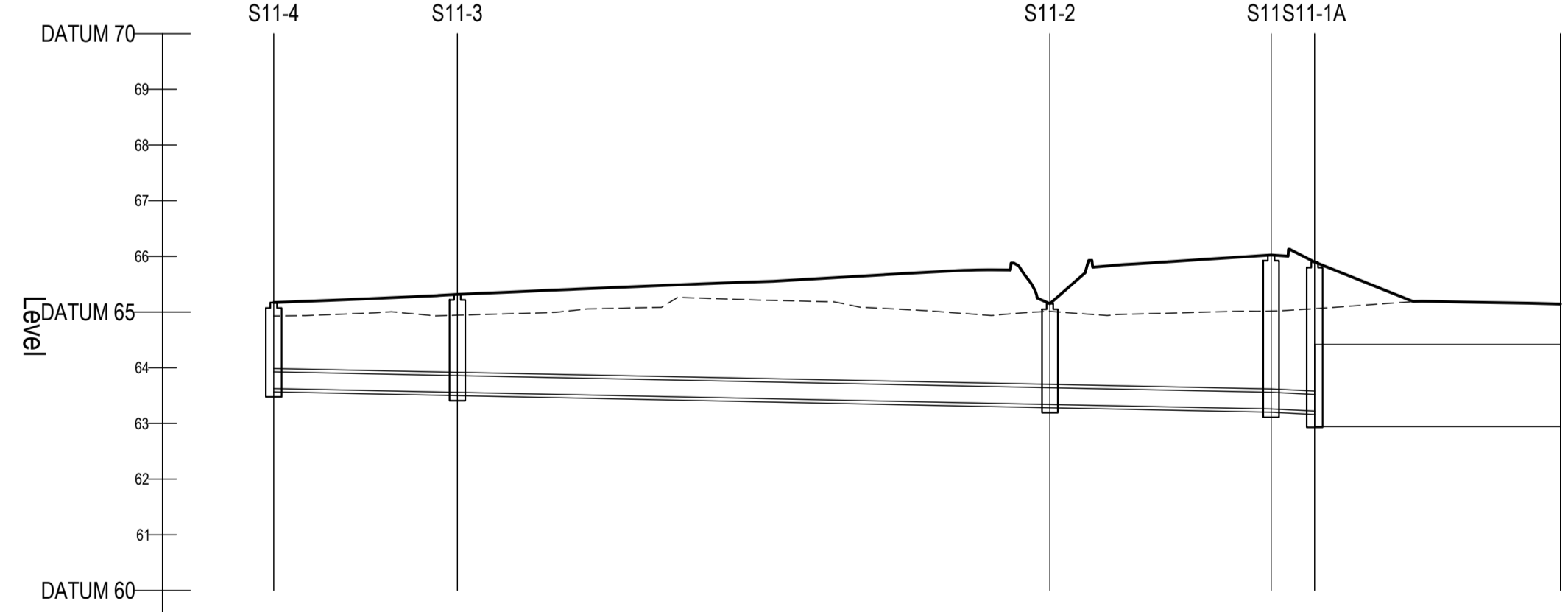
KEY
 - - - - - EXISTING GROUND PROFILE
 _____ PROPOSED GROUND PROFILE

SCALE: H 1:500,V 1:100. DATUM: 60.000



COVER LEVEL	64.971	64.408	64.718	64.766	64.718	63.884	63.385	61.882	63.028
INVERT LEVEL	62.477	62.287	62.287	62.286	61.958	61.769	61.431	61.415	61.358
DEPTH (m)	2.494	2.121	2.491	2.500	2.255	2.215	1.970	1.709	1.670
DISTANCE (m)		46.58	41.73	5.23	65.61	37.79	82.66	7.14	14.08
PIPE SLOPE		1.245	Horizontal	1.245	1.245	1.245	1.245	1.245	1.245
PIPE SIZE		450mm	1200mm	375mm	375mm	450mm	450mm	375mm	375mm

SCALE: H 1:500,V 1:100. DATUM: 60.000



COVER LEVEL	65.173	65.317	65.151	66.024	65.698
INVERT LEVEL	63.626	63.529	63.342	63.281	63.080
DEPTH (m)	1.546	1.788	1.809	2.743	2.618
DISTANCE (m)	16.50	53.23	19.88	3.91	22.09
PIPE SLOPE	1.245	1.245	1.245	1:100	Horizontal
PIPE SIZE	300mm	300mm	300mm	300mm	1200mm

P01	23-02-22	Formal Submission	PLY	NOH
rev	date	description	by	chkd.
		A - Approved		
		B - Approved with comments		
		C - Do not use		
client approval				
suitability		issue purpose		
SO - WORK IN PROGRESS		PLANNING		

DBFL Consulting Engineers
 Civil, Structural & Transportation Engineering
 www.dbfl.ie

DUBLIN OFFICE: Ormond House, Upper Ormond Quay, Dublin 7, D07 W704
 PHONE +353 1 454 4000

CORK OFFICE: 14 South Mall, Cork, T12 CT91
 PHONE +353 21 2024538

WATERFORD OFFICE: Suite 10 The Arkun, Maritime Gate, Canada Street, Waterford, X91 WC28
 PHONE +353 51 309 500

project ref.
RESIDENTIAL DEVELOPMENT AT SHACKLETON ROAD, BALLYMAKEALY UPPER, CELBRIDGE, CO. KILDARE

drawing title
STORM LONGSECTION SHEET 1

client
GLLENVEAGH HOMES LTD

designed by
 NOH

author
 PLY

scale
 AS SHOWN

sheet size
 A1

drawing no.
 200114-DBFL-SW-SP-DR-C-3301

revision
 P01