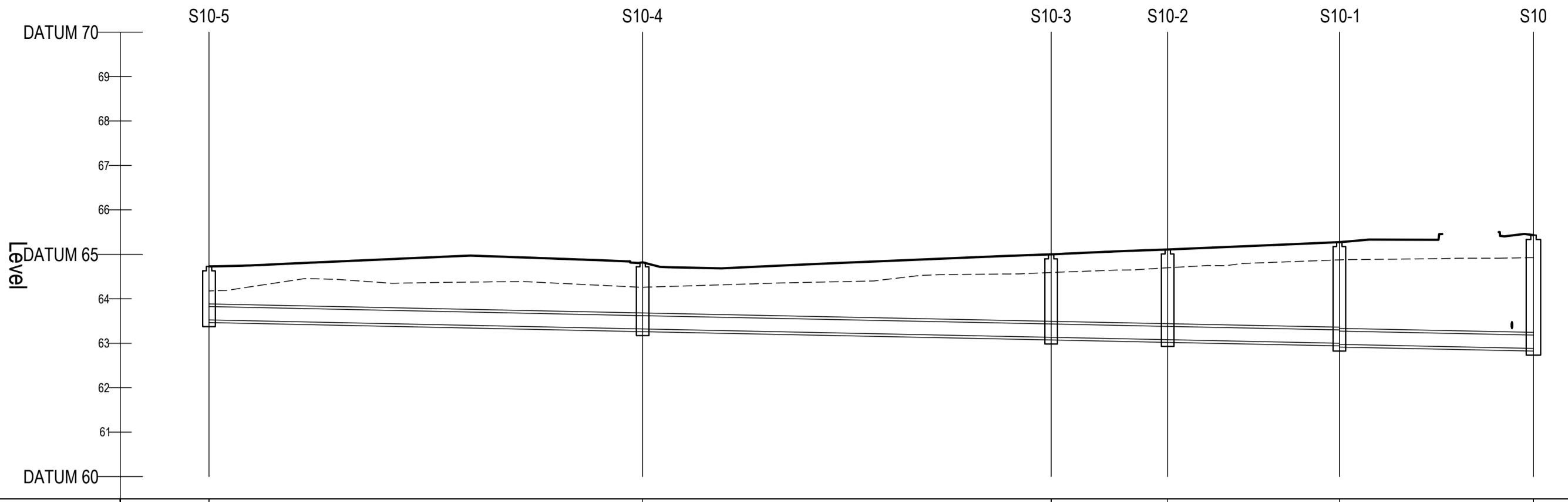


ON ORIGINAL
 © COPYRIGHT OF THIS DRAWING IS RESERVED BY DBFL CONSULTING ENGINEERS. NO PART SHALL BE REPRODUCED OR TRANSMITTED WITHOUT THEIR WRITTEN PERMISSION.
 NO CHANGES OF WHATSOEVER NATURE ARE TO BE MADE TO ANY DETAILS SET OUT OR CONTAINED IN ANY DBFL SPECIFICATIONS OR DRAWINGS UNLESS THE EXPRESS CONSENT HAS BEEN OBTAINED IN ADVANCE, IN WRITING, FROM DBFL.

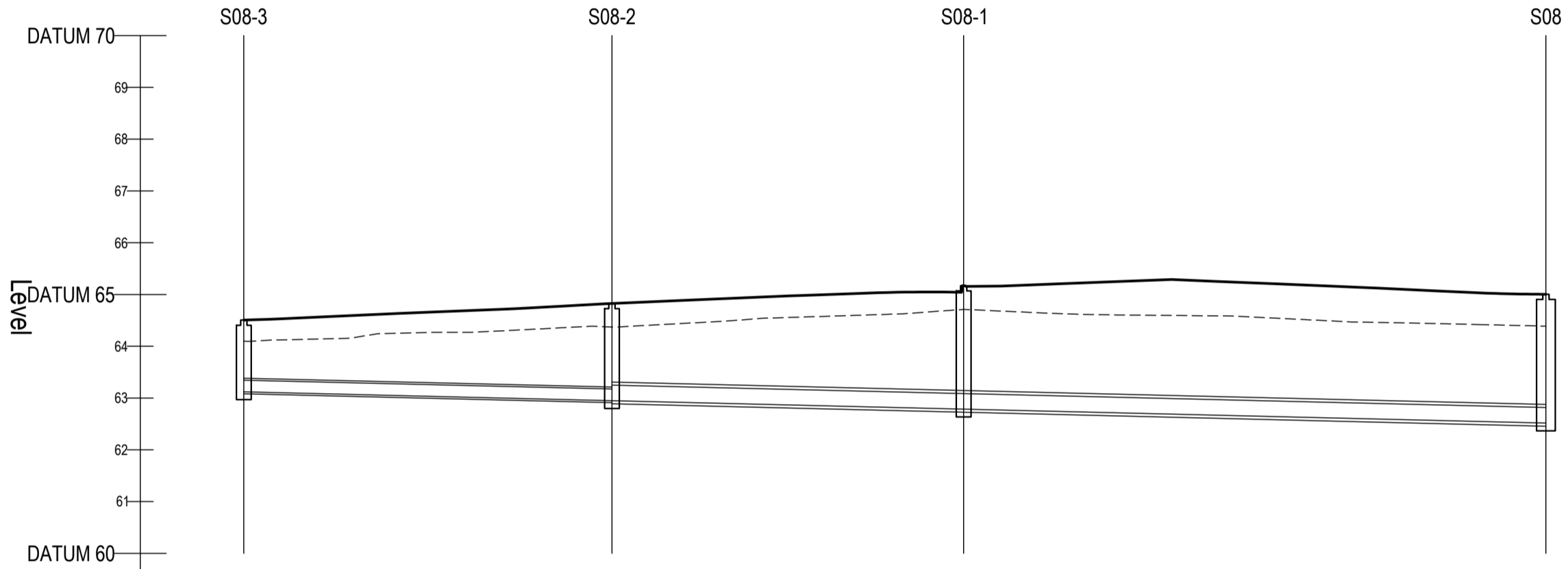
- NOTES:
1. ALL DRAWINGS TO BE CHECKED BY CONTRACTOR ON SITE AND ENGINEER INFORMED OF DISCREPANCIES BEFORE WORK COMMENCES
 2. ALL LEVELS ARE IN METRES AND ARE RELATED TO ORDNANCE DATUM
 3. CONTRACTOR SHALL SATISFY HIMSELF AS TO THE ACCURACY OF PAVEMENT LEVELS ON SITE PRIOR TO COMMENCEMENT OF WORKS ON SITE
 4. ALL WORKS TO BE CONSTRUCTED IN ACCORDANCE WITH THE NRA SPECIFICATION FOR ROAD WORKS UNLESS NOTED OTHERWISE
 5. THIS DRAWING IS FOR PLANNING PURPOSES ONLY
 6. MANHOLE COVER LEVELS ARE TO CONFORM WITH FINISHED ROAD AND PATH LEVELS
 7. WHERE COVER TO PIPE IS LESS THAN 1200mm (ROAD/PATH/VERGE) OR 900mm (OPEN SPACE) SURROUND PIPE IN MINIMUM 150mm CONCRETE

SCALE: H 1:500,V 1:100. DATUM: 60.000



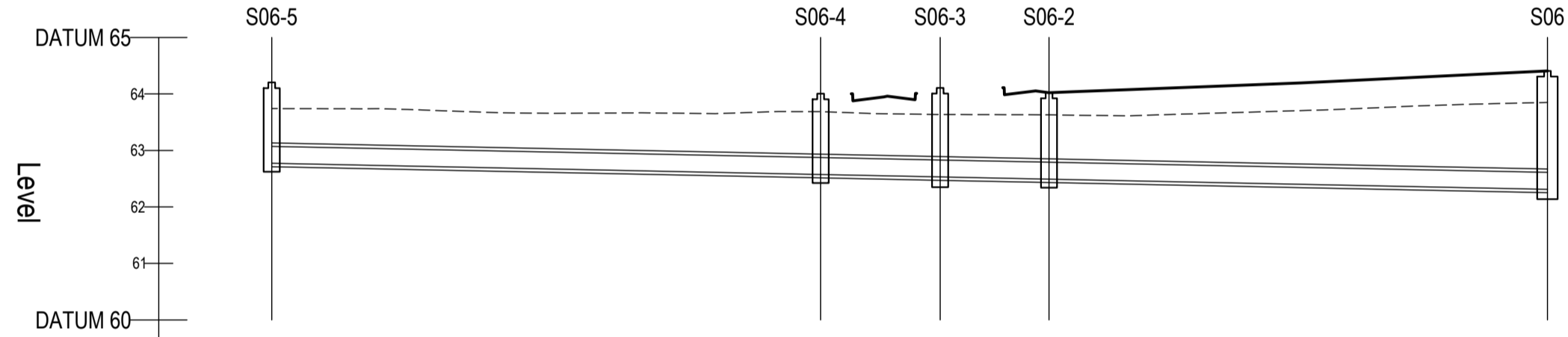
COVER LEVEL	64.729		64.820							65.433	
INVERT LEVEL	63.524		63.320	63.320		63.133	63.133	63.079	63.079	63.000	62.873
DEPTH (m)	1.205		1.500			1.666		2.029		2.301	2.560
DISTANCE (m)				48.83			46.01		13.13	19.33	21.86
PIPE SLOPE				1:240			1:245		1:245	1:245	1:245
PIPE SIZE				300mm			300mm		300mm	300mm	300mm

SCALE: H 1:500,V 1:100. DATUM: 60.000



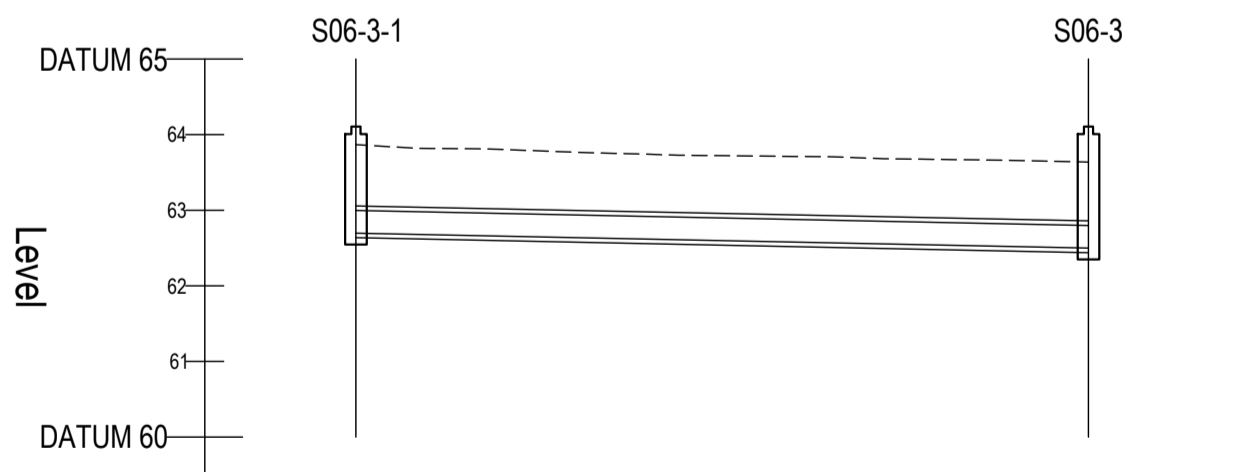
COVER LEVEL	64.506		64.826		65.199		65.004
INVERT LEVEL	63.119	63.349	63.349	64.826	62.786	62.786	62.516
DEPTH (m)	1.386		1.477		2.383		2.489
DISTANCE (m)			35.54			33.96	56.22
PIPE SLOPE			1:208		1:208		1:245
PIPE SIZE			225mm		300mm		300mm

SCALE: H 1:500,V 1:100. DATUM: 60.000



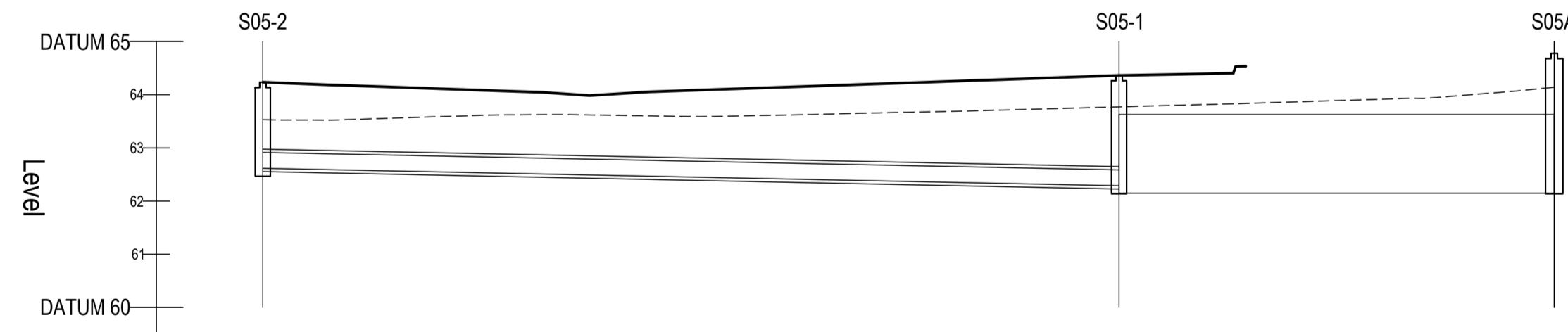
COVER LEVEL	64.203		64.004		64.106		64.022		64.408	
INVERT LEVEL	62.772		62.573	62.573	64.004	62.530	62.530	62.491	62.491	62.311
DEPTH (m)	1.431		1.430		1.607		1.531		2.121	
DISTANCE (m)			48.58		10.57	9.64		44.11		
PIPE SLOPE			1:245		1:245	1:245		1:245		
PIPE SIZE			300mm		300mm	300mm		300mm		

SCALE: H 1:500,V 1:100. DATUM: 60.000



COVER LEVEL	64.106		64.106
INVERT LEVEL	62.897		62.499
DEPTH (m)	1.409		1.607
DISTANCE (m)		48.45	
PIPE SLOPE		1:245	
PIPE SIZE		300mm	

SCALE: H 1:500,V 1:100. DATUM: 60.000



COVER LEVEL	64.235		64.361		64.778
INVERT LEVEL	62.615		62.287	62.287	62.287
DEPTH (m)	1.619		2.074		2.491
DISTANCE (m)			80.43		40.87
PIPE SLOPE			1:245		Horizontal
PIPE SIZE			300mm		1200mm

KEY
 - - - - - EXISTING GROUND PROFILE
 _____ PROPOSED GROUND PROFILE

P01	23-02-22	Formal Submission	PLY	NCH
rev	date	description	by	chkd.
		A - Approved		
		B - Approved with comments		
		C - Do not use		
client approval				
suitability		issue purpose		
S0 - WORK IN PROGRESS		PLANNING		

DBFL Consulting Engineers
 Civil, Structural & Transportation Engineering
 www.dbfl.ie

DUBLIN OFFICE: Ormond House, Upper Ormond Quay, Dublin 7, D07 W704
 PHONE +353 1 453 4000

CORK OFFICE: 14 South Mall, Cork, T12 CT91
 PHONE +353 21 2024538

WATERFORD OFFICE: Suite 10 The Arkum, Maritime Gate, Canada Street, Waterford, X91 W028
 PHONE +353 51 309 500

project ref.
RESIDENTIAL DEVELOPMENT AT SHACKLETON ROAD, BALLYMAKEALY UPPER, CELBRIDGE, CO. KILDARE

drawing title
STORM LONGSECTION SHEET 2

client
GLLENVEAGH HOMES LTD

designed by
 NCH

author
 PLY

scale
 AS SHOWN

sheet size
 A1

drawing no.
200114-DBFL-SW-SP-DR-C-3302

revision
P01