

© COPYRIGHT OF THIS DRAWING IS RESERVED BY DBFL CONSULTING ENGINEERS. NO PART SHALL BE REPRODUCED OR TRANSMITTED WITHOUT THEIR WRITTEN PERMISSION.

NO CHANGES OF WHATSOEVER NATURE ARE TO BE MADE TO ANY DETAILS SET OUT OR CONTAINED IN ANY DBFL SPECIFICATIONS OR DRAWINGS UNLESS THE EXPRESS CONSENT HAS BEEN OBTAINED IN ADVANCE, IN WRITING, FROM DBFL.

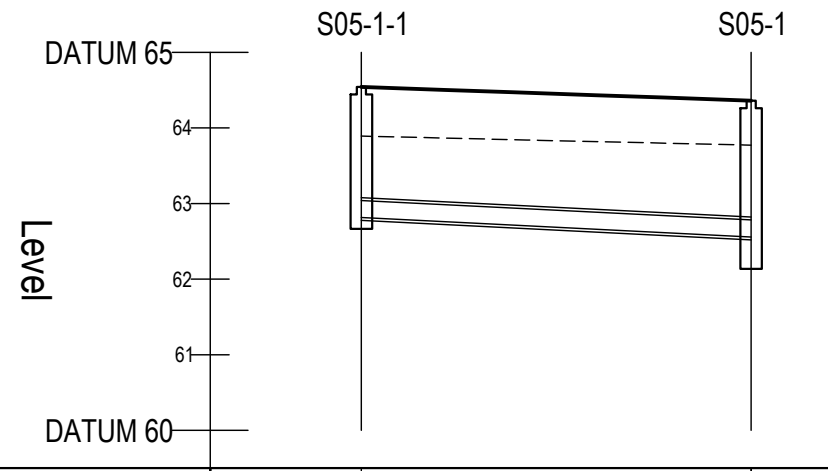
**NOTES:**

1. ALL DRAWINGS TO BE CHECKED BY CONTRACTOR ON SITE AND ENGINEER INFORMED OF DISCREPANCIES BEFORE WORK COMMENCES
2. ALL LEVELS ARE IN METRES AND ARE RELATED TO ORDNANCE DATUM
3. CONTRACTOR SHALL SATISFY HIMSELF AS TO THE ACCURACY OF PAVEMENT LEVELS ON SITE PRIOR TO COMMENCEMENT OF WORKS ON SITE
4. ALL WORKS TO BE CONSTRUCTED IN ACCORDANCE WITH THE NRA SPECIFICATION FOR ROAD WORKS UNLESS NOTED OTHERWISE
5. THIS DRAWING IS FOR PLANNING PURPOSES ONLY
6. MANHOLE COVER LEVELS ARE TO CONFORM WITH FINISHED ROAD AND PATH LEVELS
7. WHERE COVER TO PIPE IS LESS THAN 100mm (ROAD/PATH/VERGE) OR 900mm (OPEN SPACE) SURROUND PIPE IN MINIMUM 150mm CONCRETE.

**KEY**

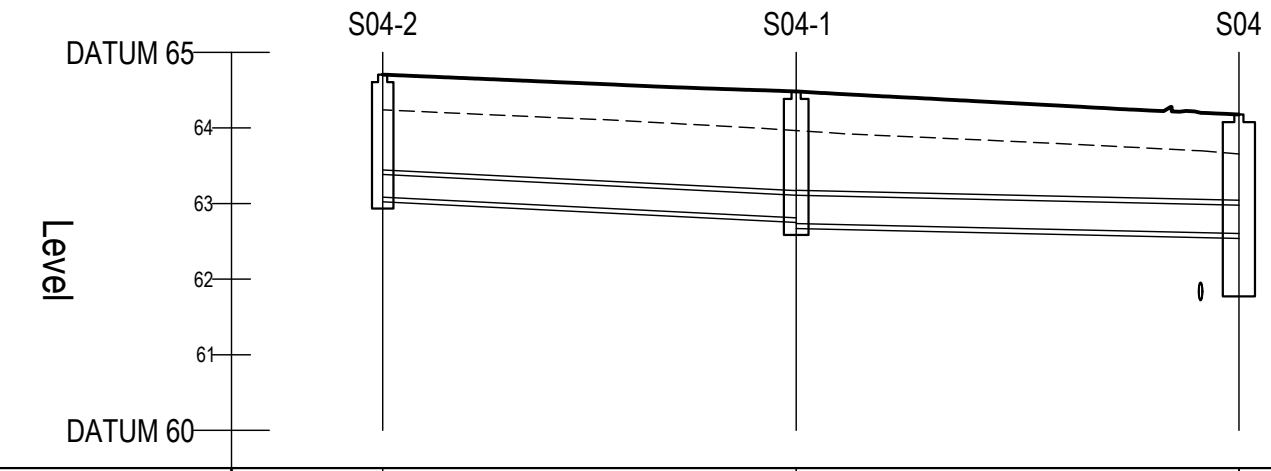
----- EXISTING GROUND PROFILE  
 \_\_\_\_\_ PROPOSED GROUND PROFILE

SCALE: H 1:500, V 1:100. DATUM: 60.000



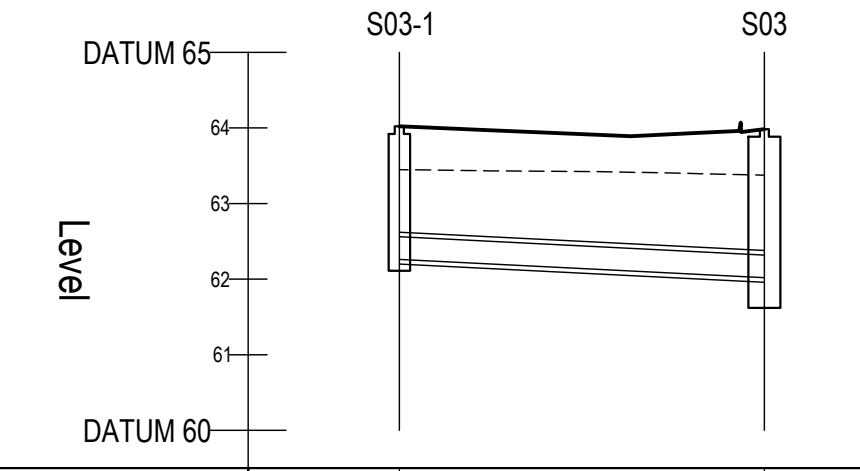
COVER LEVEL	64.542	64.381
INVERT LEVEL	62.816	62.558
DEPTH (m)	1.727	2.074
DISTANCE (m)	25.78	
PIPE SLOPE	1:100	
PIPE SIZE	225mm	

SCALE: H 1:500, V 1:100. DATUM: 60.000



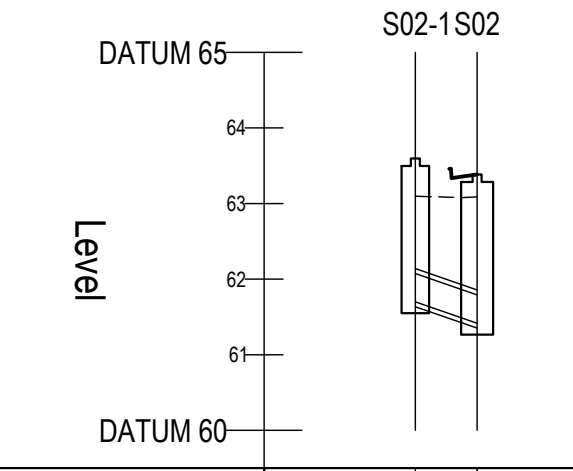
COVER LEVEL	64.705	64.483	64.178
INVERT LEVEL	63.084	62.810	62.735
DEPTH (m)	1.621	1.748	2.255
DISTANCE (m)	27.35	29.28	
PIPE SLOPE	1:100	1:222	
PIPE SIZE	300mm	375mm	

SCALE: H 1:500, V 1:100. DATUM: 60.000



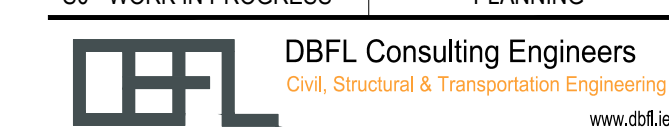
COVER LEVEL	64.021	63.984
INVERT LEVEL	62.280	62.019
DEPTH (m)	1.761	2.215
DISTANCE (m)	24.14	
PIPE SLOPE	1:100	
PIPE SIZE	300mm	

SCALE: H 1:500, V 1:100. DATUM: 60.000



COVER LEVEL	63.558	63.385
INVERT LEVEL	61.700	61.417
DEPTH (m)	1.858	1.970
DISTANCE (m)	4.09	
PIPE SLOPE	1:14	
PIPE SIZE	375mm	

P01	23-02-22	Formal Submission	PLY	NCH
rev	date	description	by	chkd.
		A - Approved		
		B - Approved with comments		
		C - Do not use		
client approval				
suitability		issue purpose		
S0 - WORK IN PROGRESS		PLANNING		



DUBLIN OFFICE: Ormond House, Upper Ormond Quay, Dublin 7, D07 W7D4  
 PHONE +353 1 456 4000  
 CORK OFFICE: 14 South Mall, Cork, T12 CT91  
 PHONE +353 21 2624538  
 WATERFORD OFFICE: Suite 10 The Arkum, Maritime Gate, Canada Street, Waterford, X91 WC28  
 PHONE +353 51 309 500

project ref.  
**RESIDENTIAL DEVELOPMENT AT SHACKLETON ROAD, BALLYMAKEALY UPPER, CELBRIDGE, CO. KILDARE**

drawing title  
**STORM LONGSECTION SHEET 3**

client  
**GLENVEAGH HOMES LTD**

designed by	author	scale	sheet size
NCH	PLY	AS SHOWN	A1
drawing no.			revision
200114-DBFL-SW-SP-DR-C-3303			P01