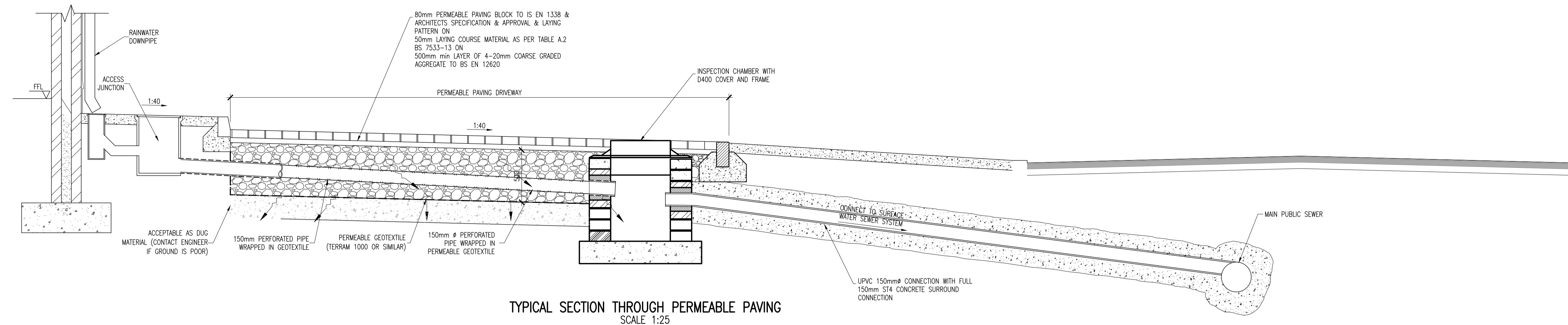
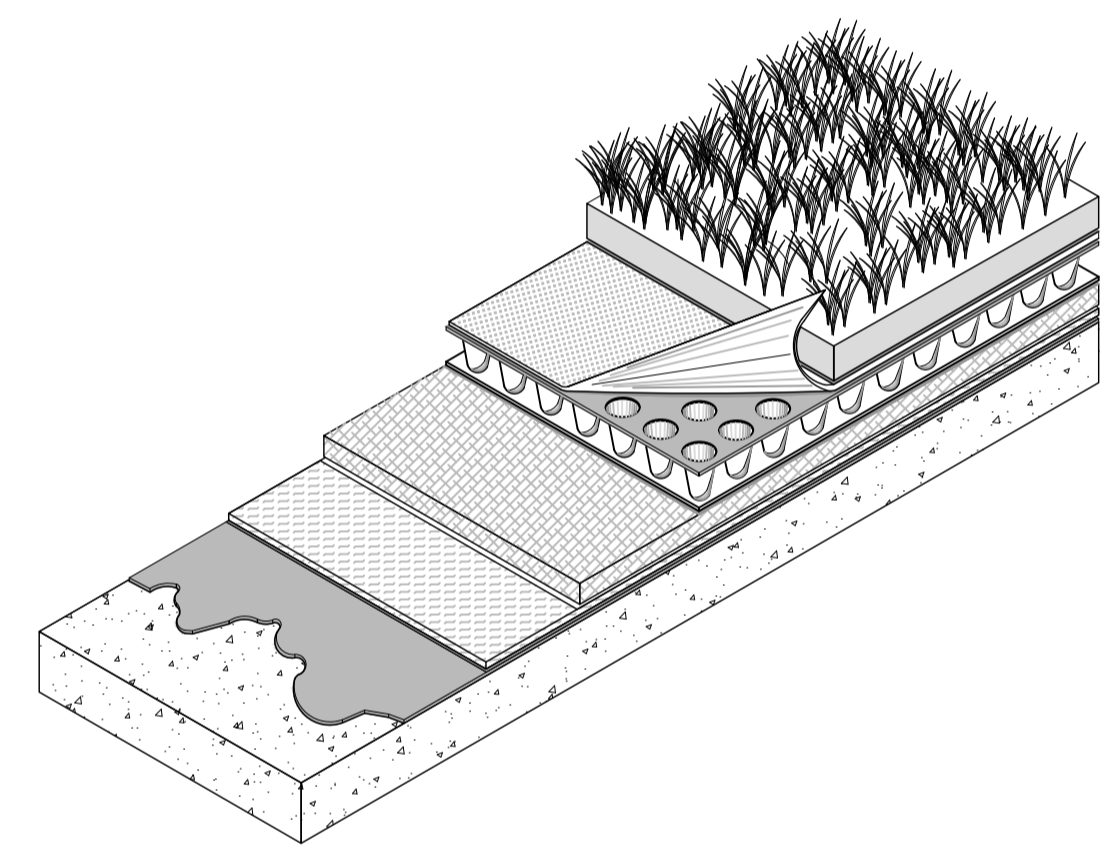


NOTES:

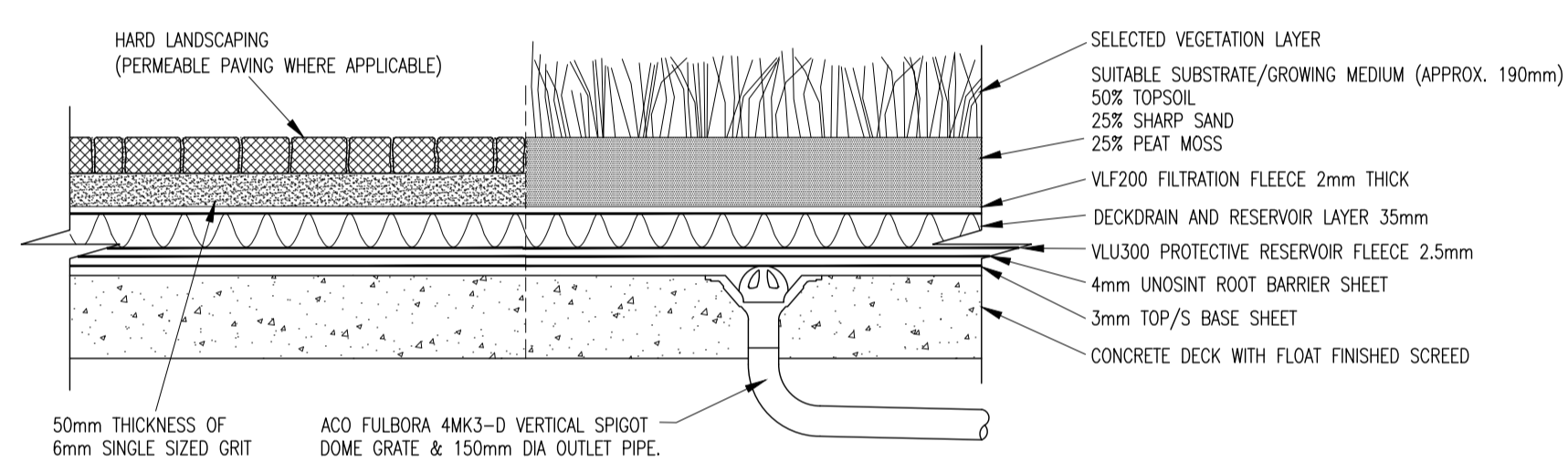
1. WATERMAIN TO BE 150/100mm DIA. PVC-A TO BS PAS27 (MIN. 10 BAR) EXCEPT UNDER ROADWAYS WHERE DUCTILE IRON IS TO BE USED.
2. AT 90 DEG. TURNS USE 2 No. 45 DEG. BENDS.
3. MINIMUM COVER TO WATERMAIN TO BE 900mm.
4. SPIGOT SOCKET CONNECTIONS TO BE USED AT PVC-A/DUCTILE IRON JUNCTIONS.
5. ANCHOR BLOCKS TO BE POSITIONED AT DEAD ENDS, TEES, BENDS AT EACH SIDE OF HYDRANTS AND VALVES.
6. HYDRANT OUTLET TO BE 200mm BELOW GROUND LEVEL UNLESS REQUESTED OTHERWISE.
7. HYDRANTS SHALL BE MANUFACTURED IN ACCORDANCE WITH BS 750: 2008 TYPE 2 AND SHALL INCORPORATE A SCREWDOWN VALVE, UNDERGROUND "GUIDE IN LOAD" TYPE WITH BAYONET LEG OUTLETS AND FARE SPINDLE CAP OF CAST IRON AND IRON CHAN. HYDRANT VALVE SHALL BE "ANTI CLOCKWISE OPENING".
8. SLUICE VALVES SHALL COMPLY WITH THE REQUIREMENT OF BS5163. THEY SHALL "CLOSE BY TURNING ANTI CLOCKWISE".
9. VALVES AND HYDRANTS WHEN INSTALLED SHALL BE COVERED WITH APPROVED HEAVY DUTY METAL SURFACE COVERS. THESE COVERS MUST CONFORM WITH THE LOCAL AUTHORITY SPECIFICATIONS. COVERS TO BE HEAVY DUTY METAL COVERS TO IS EN 124.
10. INDICATOR PLATES SHALL CLEARLY IDENTIFY HYDRANT, AIR VALVE AND SLUICE VALVE LOCATIONS AND BASE BOARD LOCATIONS SHALL BE APPROVED BY THE LOCAL AUTHORITY. FIXED LETTERINGS SHALL COMPLY WITH BS3251. BACKGROUND COLOUR YELLOW TEXT COLOUR BLACK.
11. DRAINAGE MUST BE PROVIDED TO ENSURE THAT THE CHAMBERS CANNOT BECOME FLOODED WITH SURFACE OR GROUND WATER.
12. ALL SERVICE PIPES, CONNECTIONS AND WATER CONTROL UNITS SHALL BE AS PER OVERSEEING LOCAL AUTHORITY REQUIREMENTS.
13. ALL WATERMANS SHALL BE TESTED IN ACCORDANCE WITH SPECIFICATION & LOCAL OVERSEEING AUTHORITIES GUIDELINES FOR DRINKING WATER SUPPLY.
14. CONNECTION TO EXISTING WATERMAIN TO BE CO-ORDINATED WITH LOCAL OVERSEEING AUTHORITY.
15. CONTRACTOR TO LIASE WITH LOCAL OVERSEEING AUTHORITY FOR TESTING CLEANSING AND STERILISATION OF NEW WATERMANS.



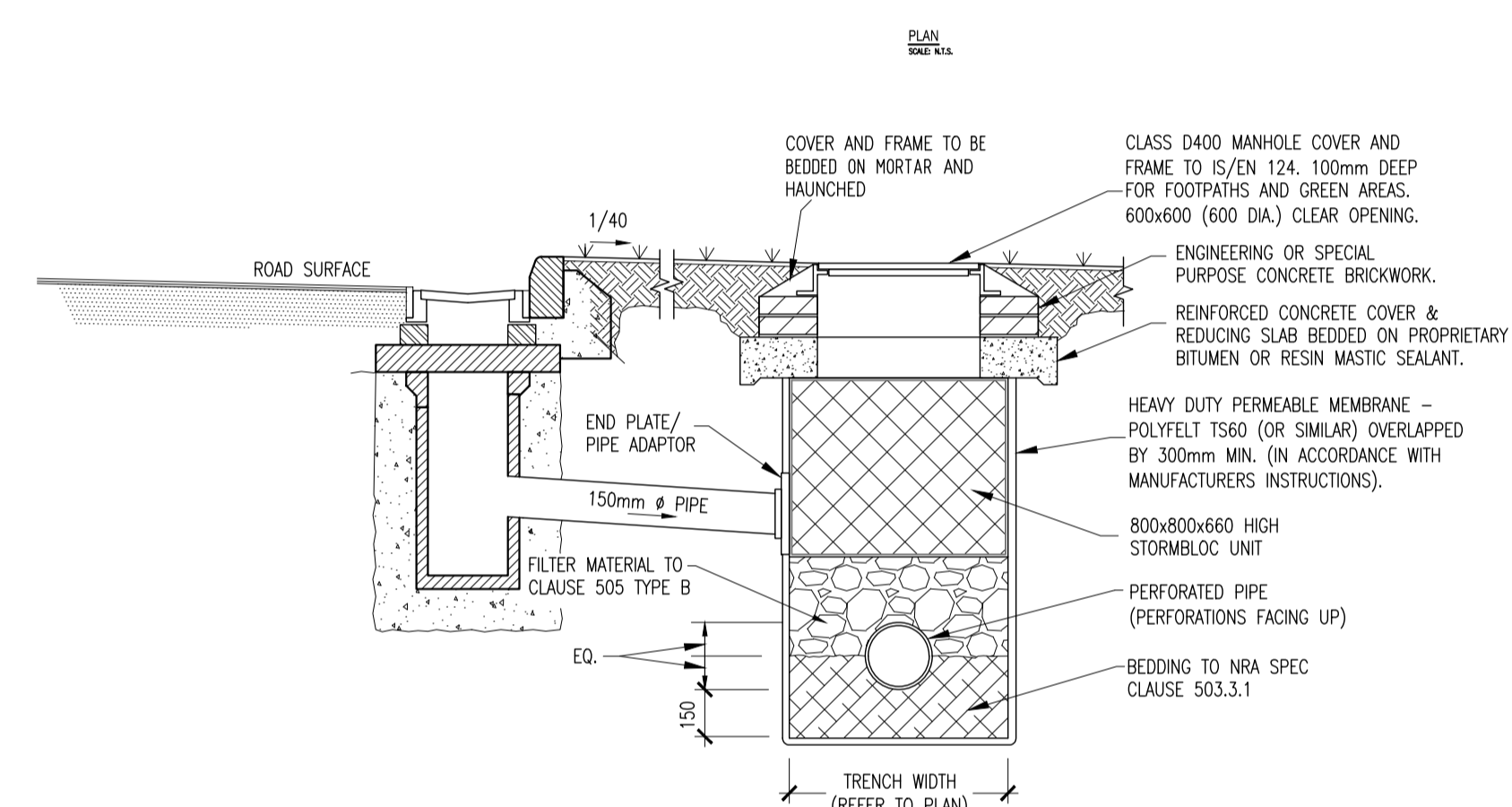
TYPICAL SECTION THROUGH PERMEABLE PAVING SCALE 1:25



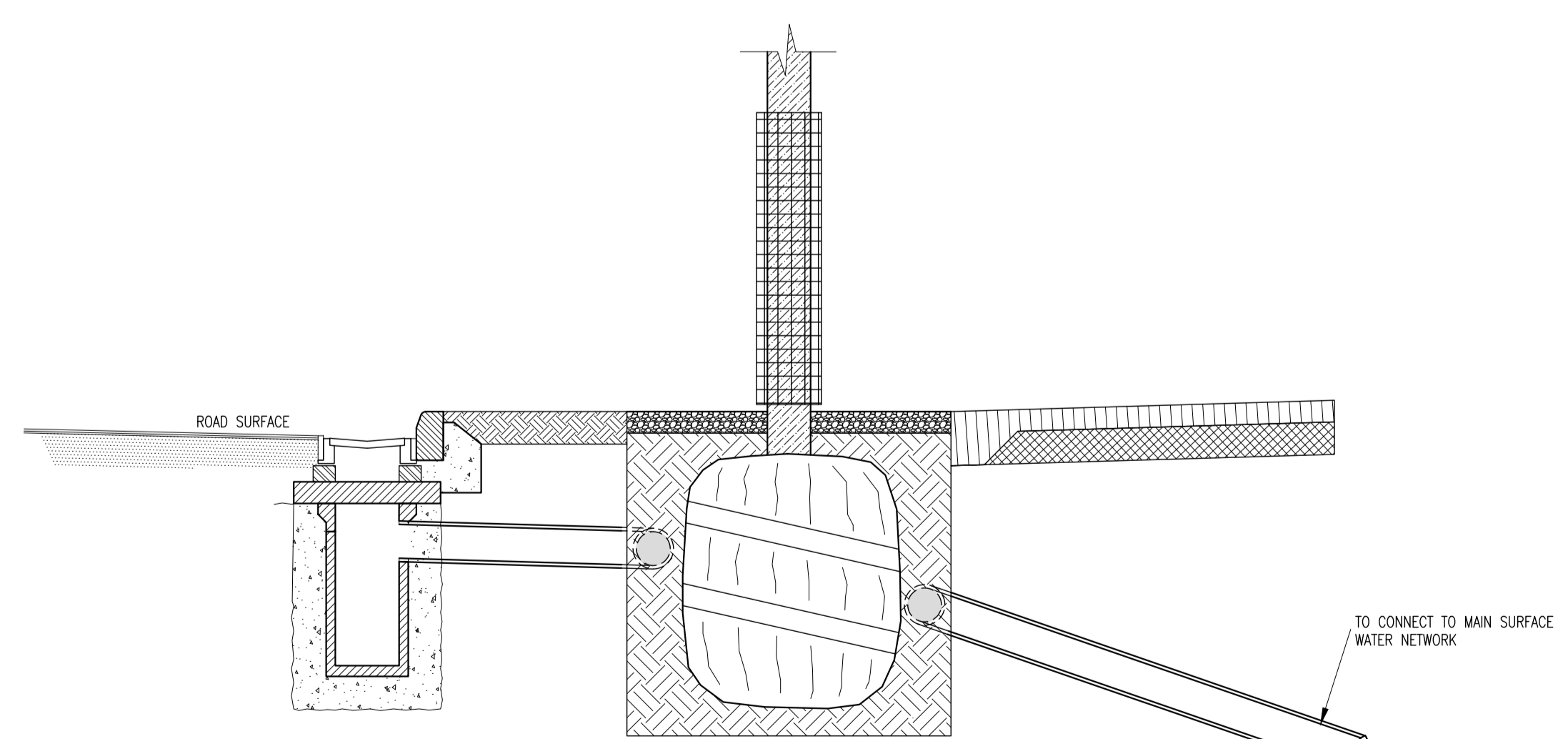
GREEN ROOF SCHEMATIC SCALE NTS



PODIUM DECK DETAIL SCALE NTS



GULLY CONNECTION TO FILTER DRAIN SCALE: NTS



ROAD GULLY TO TREE PIT DETAIL SCALE 1:25

PO2	23-02-22	Formal Submission	PLY	NOH
PO1	21-01-22	FOR PLANNING	PLY	NOH
rev	date	description	by	chkd.
		A - Approved		
		B - Approved with comments		
		C - Do not use		

client approval

suitability S2 - INFORMATION PLANNING

DBFL Consulting Engineers  
Civil, Structural & Transportation Engineering  
www.dbfl.ie

DUBLIN OFFICE: Ormond House, Upper Ormond Quay, Dublin 7, D07 W704  
PHONE: +353 1 450 4000

CORK OFFICE: Phoenix House, Monahan Road, Cork, T12 H1XV  
PHONE: +353 (0) 21 2054538

WATERFORD OFFICE: Suite 10 The Arkum, Maritime Gate, Canada Street, Waterford, X91 W028  
PHONE: +353 51 309 500

project ref.

RESIDENTIAL DEVELOPMENT AT SHACKLETON ROAD, BALLYMAKEALY UPPER, CELBRIDGE, CO. KILDARE

drawing title

SURFACE WATER TYPICAL CONSTRUCTION DETAILS

client

GLENVEAGH HOMES LTD

designed by	author	scale	sheet size
NOH	PLY	AS SHOWN	A1
drawing no.		revision	
200114-DBFL-SW-SP-DR-C-5303		P02	