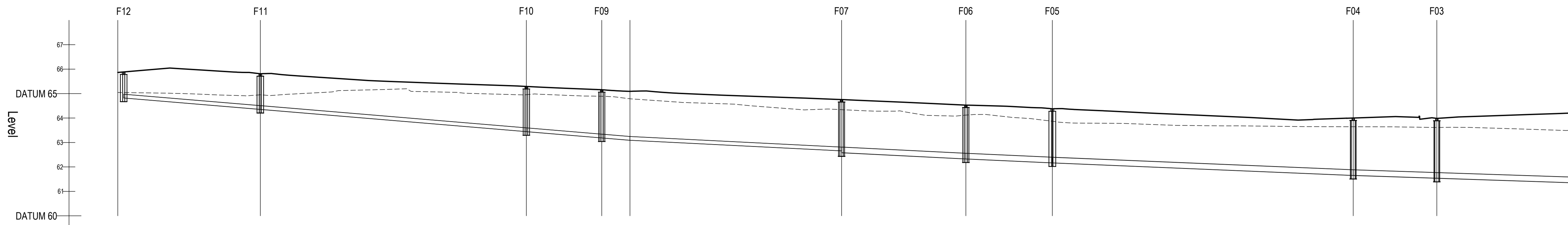


© COPYRIGHT OF THIS DRAWING IS RESERVED BY DBFL CONSULTING ENGINEERS. NO PART SHALL BE REPRODUCED OR TRANSMITTED WITHOUT THEIR WRITTEN PERMISSION.

NO CHANGES OF WHATSOEVER NATURE ARE TO BE MADE TO ANY DETAILS SET OUT OR CONTAINED IN ANY DBFL SPECIFICATIONS OR DRAWINGS UNLESS THE EXPRESS CONSENT HAS BEEN OBTAINED IN ADVANCE, IN WRITING, FROM DBFL.

NOTES:

1. ALL DRAWINGS TO BE CHECKED BY CONTRACTOR ON SITE AND ENGINEER INFORMED OF DISCREPANCIES BEFORE WORK COMMENCES
2. ALL LEVELS ARE IN METRES AND ARE RELATED TO ORDNANCE DATUM
3. CONTRACTOR SHALL SATISFY HIMSELF AS TO THE ACCURACY OF PAVEMENT LEVELS ON SITE PRIOR TO COMMENCEMENT OF WORKS ON SITE
4. ALL WORKS TO BE CONSTRUCTED IN ACCORDANCE WITH THE NRA SPECIFICATION FOR ROAD WORKS UNLESS NOTED OTHERWISE
5. THIS DRAWING IS FOR PLANNING PURPOSES ONLY
6. MANHOLE COVER LEVELS ARE TO CONFORM WITH FINISHED ROAD AND PATH LEVELS
7. WHERE COVER TO PIPE IS LESS THAN 100mm (ROAD/PATH/VERGE) OR 900mm (OPEN SPACE) SURROUND PIPE IN MINIMUM 150mm CONCRETE

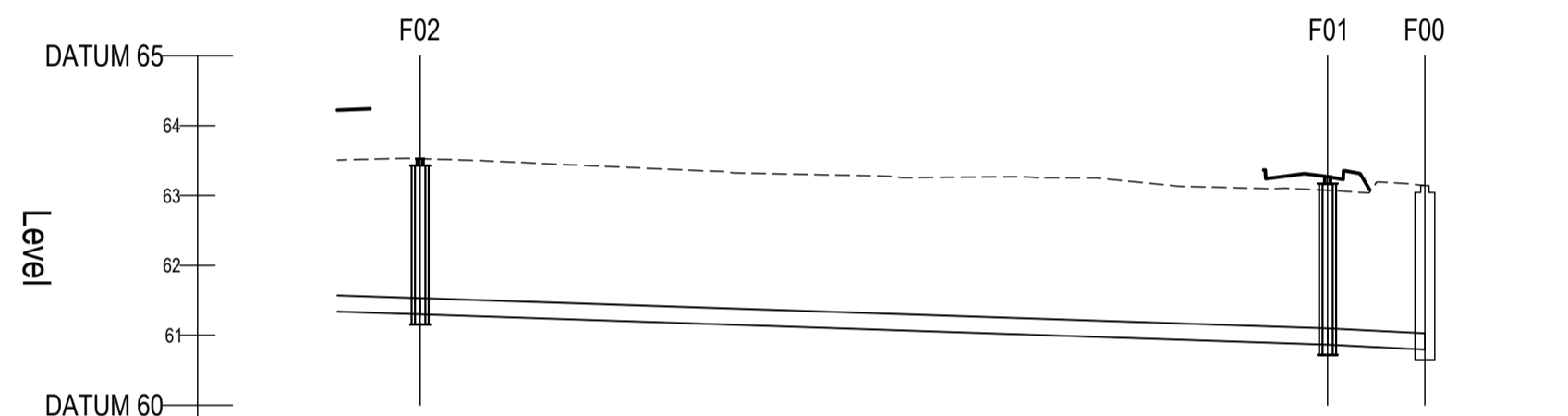


COVER LEVEL		64.886		63.810																					
INVERT LEVEL		64.822		64.355 64.325		63.446 63.446		63.188 63.188		63.092 63.092					62.659 62.684		62.329 62.329		62.188 62.188		61.854 61.854		61.540 61.540		61.303
DEPTH (m)		1.064		1.465		1.845		1.971						2.172		2.199			2.210		2.346		2.445		61.303
DISTANCE (m)			28.00				54.53		15.45	5.78				43.37		25.48			17.72				17.13		35.59
PIPE SLOPE			1:60				1:60		1:60	1:60				1:100		1:100			1:110				1:150		1:150
PIPE SIZE			150mm				150mm		150mm	150mm				150mm		225mm			225mm				225mm		225mm

KEY

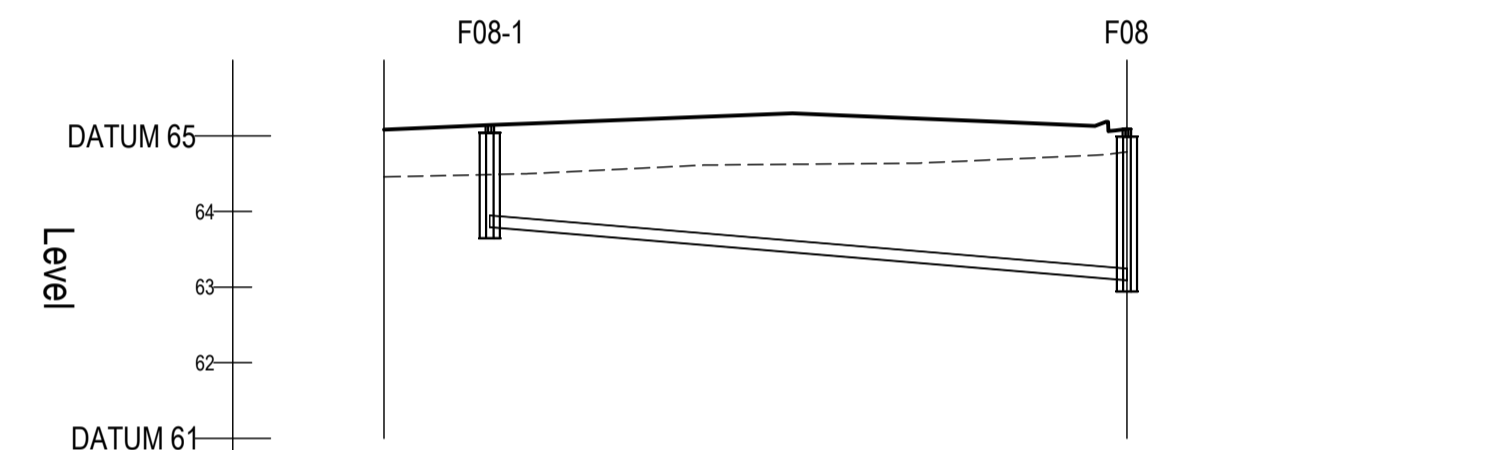
--- EXISTING GROUND PROFILE
 — PROPOSED GROUND PROFILE

SCALE: H 1:500,V 1:100. DATUM: 60.000



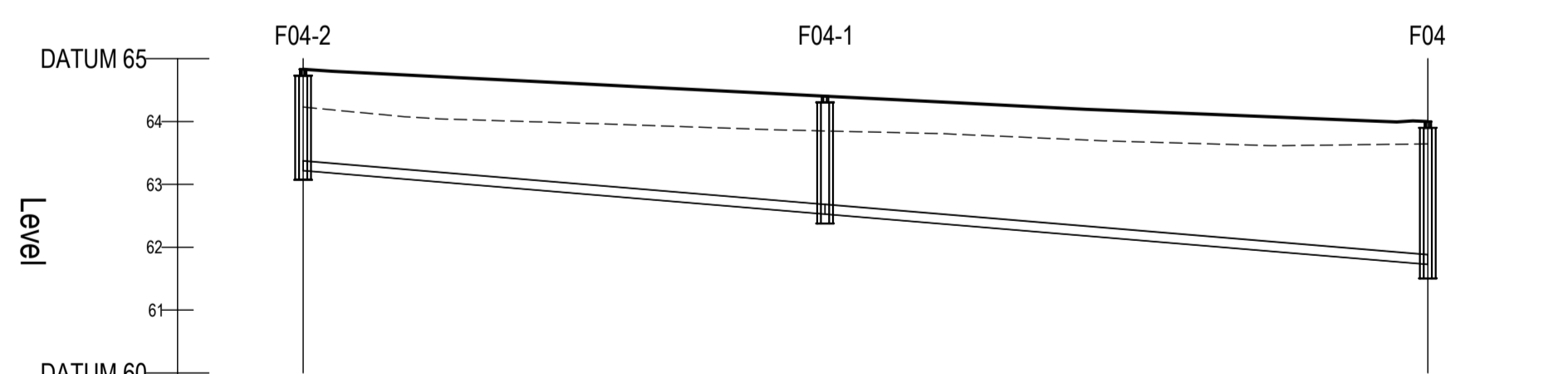
COVER LEVEL				63.506			
INVERT LEVEL		61.540 61.303 61.303		63.270 63.270 63.270		63.143	
DEPTH (m)		2.223				2.343	
DISTANCE (m)		35.59		64.96		6.96	
PIPE SLOPE		1:150		1:150		1:99	
PIPE SIZE		225mm		225mm		225mm	

SCALE: H 1:500,V 1:100. DATUM: 61.000



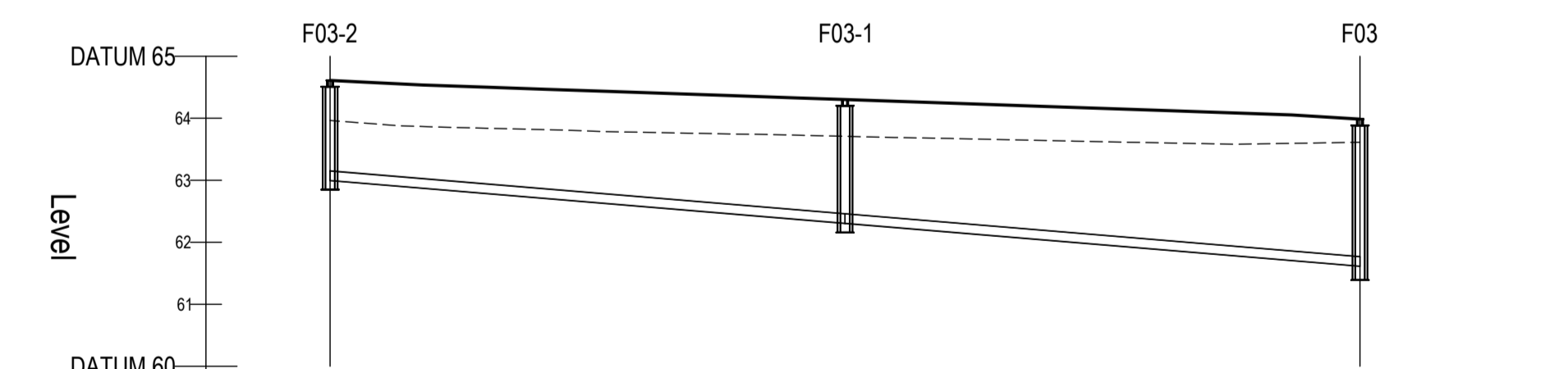
COVER LEVEL			65.143			65.092
INVERT LEVEL			63.794			63.092
DEPTH (m)			1.348			2.000
DISTANCE (m)					42.14	
PIPE SLOPE					1:60	
PIPE SIZE					150mm	

SCALE: H 1:500,V 1:100. DATUM: 60.000



COVER LEVEL		64.821		64.404		64.000
INVERT LEVEL		63.222		62.529 62.529		61.729
DEPTH (m)		1.599		1.875		2.346
DISTANCE (m)			41.56		48.00	
PIPE SLOPE			1:60		1:60	
PIPE SIZE			150mm		150mm	

SCALE: H 1:500,V 1:100. DATUM: 60.000



COVER LEVEL		64.610		64.302		63.985
INVERT LEVEL		62.969		62.307 62.307		61.615
DEPTH (m)		1.641		1.995		2.445
DISTANCE (m)			41.48		41.48	
PIPE SLOPE			1:60		1:60	
PIPE SIZE			150mm		150mm	

P03	23-02-22	Formal Submission	PLY	NOH
P02	09-09-21	CDS Update	PLY	NOH
P01	07-07-21	ISSUED FOR PLANNING	GIS	NOH
rev	date	description	by	chkd.
		A - Approved		
		B - Approved with comments		
		C - Do not use		

suitability issue purpose
 SO - WORK IN PROGRESS PLANNING



DUBLIN OFFICE: Ormond House, Upper Ormond Quay, Dublin 7, D07 W704
 PHONE +353 1 450 4000
 CORK OFFICE: 14 South Mall, Cork, T12 CT91
 PHONE +353 21 2024538
 WATERFORD OFFICE: Suite 10 The Arkun, Maritime Gate, Canada Street, Waterford, X91 W028
 PHONE +353 51 309 500

project ref.
RESIDENTIAL DEVELOPMENT AT SHACKLETON ROAD, BALLYMAKEALY UPPER, CELBRIDGE, CO. KILDARE

drawing title
FOUL LONGSECTION SHEET 1

client
GLENVEAGH HOMES LTD

designed by	author	scale	sheet size
NOH	JUB	VALUE	A1
drawing no.		revision	
200114-DBFL-FW-SP-DR-C-3311		P03	