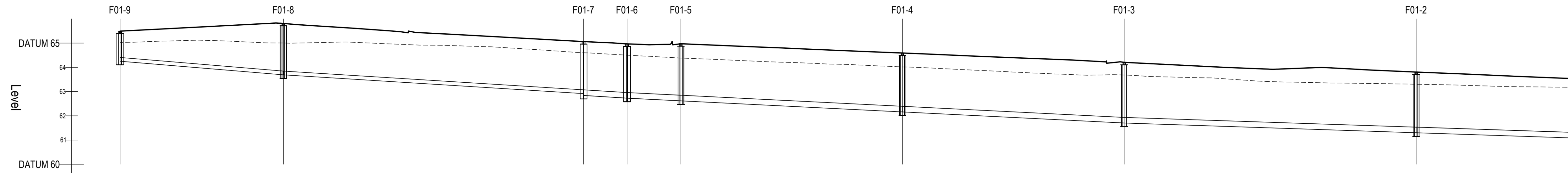


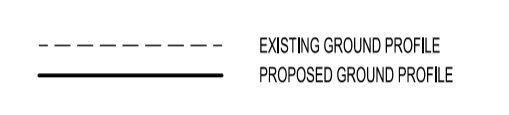
SCALE: H 1:500, V 1:100. DATUM: 60.000



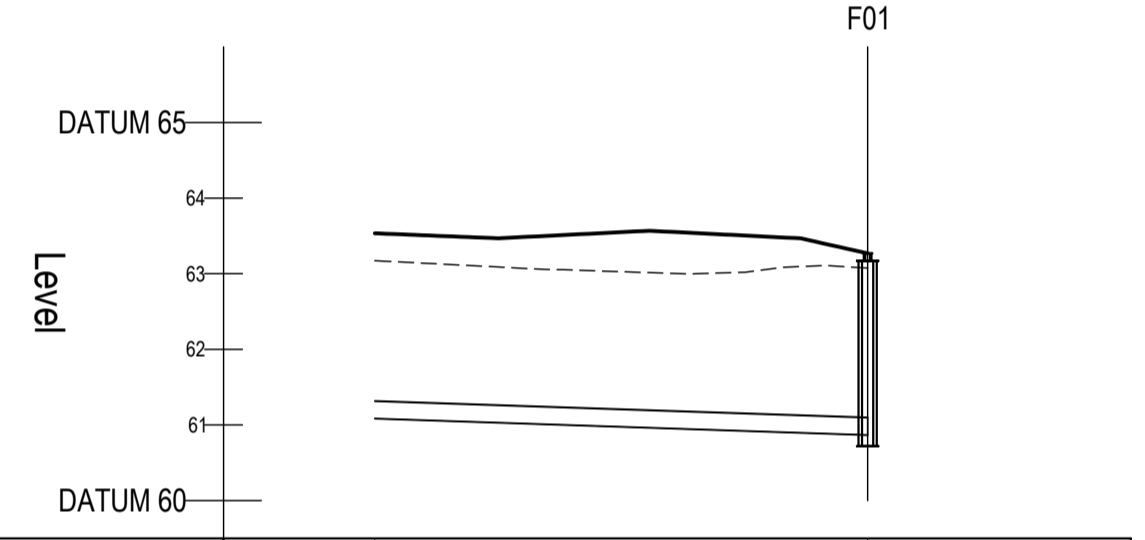
COVER LEVEL		65.484		65.814		65.064	64.986	64.973		64.491		64.207		63.806		
INVERT LEVEL		64.255		63.693		62.918	62.751	62.620		62.183		61.705		61.303		60.870
DEPTH (m)		1.229		2.121		2.220	2.235	2.353		2.428		2.802		2.503		
DISTANCE (m)			33.74		62.00		8.98	11.12		45.73		45.81		60.29		64.94
PIPE SLOPE			1:60		1:80		1:80	1:100		1:100		1:100		1:150		1:150
PIPE SIZE			150mm		150mm		225mm	225mm		225mm		225mm		225mm		225mm

- NO CHANGES OF WHATSOEVER NATURE ARE TO BE MADE TO ANY DETAILS SET OUT OR CONTAINED IN ANY DBFL SPECIFICATIONS OR DRAWINGS UNLESS THE EXPRESS CONSENT HAS BEEN OBTAINED IN ADVANCE, IN WRITING, FROM DBFL.
- NOTES:
1. ALL DRAWINGS TO BE CHECKED BY CONTRACTOR ON SITE AND ENGINEER INFORMED OF DISCREPANCIES BEFORE WORK COMMENCES
 2. ALL LEVELS ARE IN METRES AND ARE RELATED TO ORDNANCE DATUM
 3. CONTRACTOR SHALL SATISFY HIMSELF AS TO THE ACCURACY OF PAVEMENT LEVELS ON SITE PRIOR TO COMMENCEMENT OF WORKS ON SITE
 4. ALL WORKS TO BE CONSTRUCTED IN ACCORDANCE WITH THE NRA SPECIFICATION FOR ROAD WORKS UNLESS NOTED OTHERWISE
 5. THIS DRAWING IS FOR PLANNING PURPOSES ONLY
 6. MANHOLE COVER LEVELS ARE TO CONFORM WITH FINISHED ROAD AND PATH LEVELS
 7. WHERE COVER TO PIPE IS LESS THAN 1200mm (ROAD/PATH/VERGE) OR 900mm (OPEN SPACE) SURROUND PIPE IN MINIMUM 150mm CONCRETE

KEY

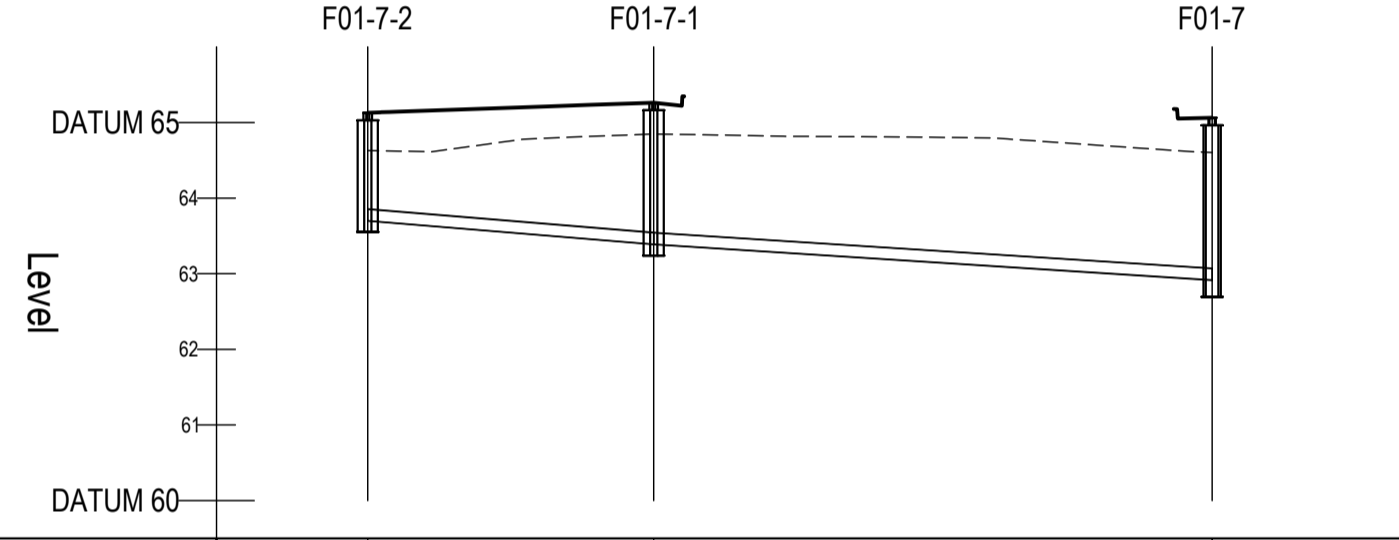


SCALE: H 1:500, V 1:100. DATUM: 60.000



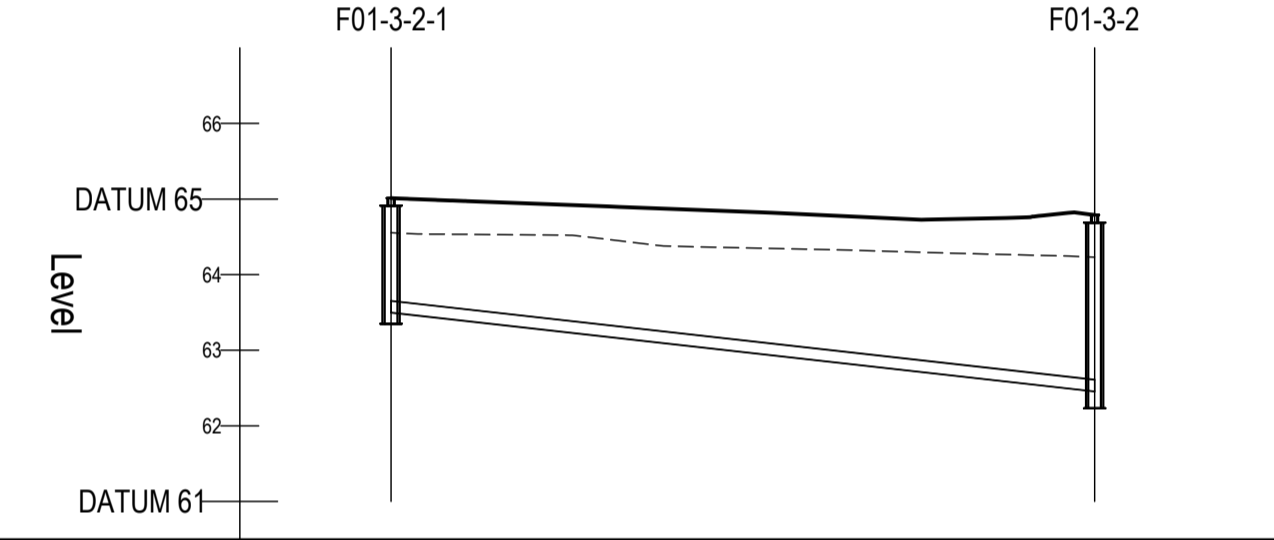
COVER LEVEL		63.270
INVERT LEVEL		61.303
DEPTH (m)		2.400
DISTANCE (m)		64.94
PIPE SLOPE		1:150
PIPE SIZE		225mm

SCALE: H 1:500, V 1:100. DATUM: 60.000



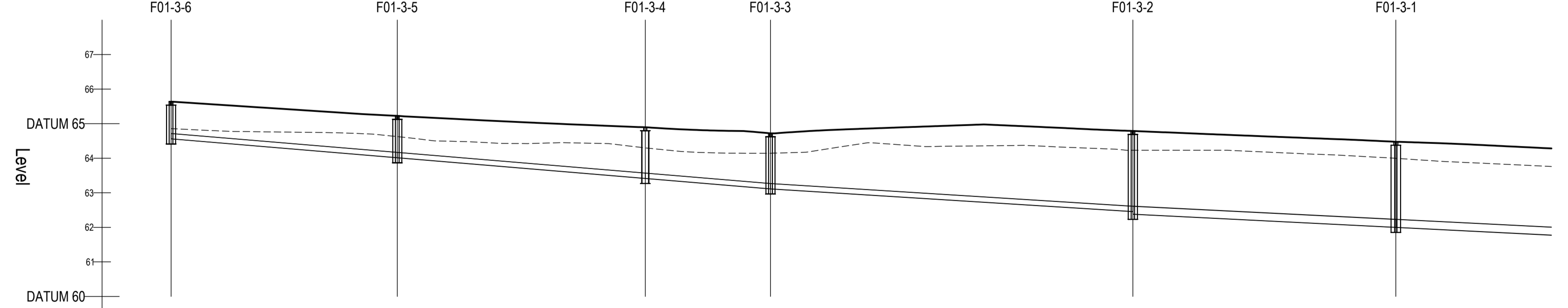
COVER LEVEL		65.128	65.262	65.064
INVERT LEVEL		63.702	63.391	62.918
DEPTH (m)		1.426	1.871	2.220
DISTANCE (m)		18.91	36.93	
PIPE SLOPE		1:61	1:78	
PIPE SIZE		150mm	150mm	

SCALE: H 1:500, V 1:100. DATUM: 61.000



COVER LEVEL		65.013	64.789
INVERT LEVEL		63.500	62.458
DEPTH (m)		1.513	2.406
DISTANCE (m)		46.53	
PIPE SLOPE		1:45	
PIPE SIZE		150mm	

SCALE: H 1:500, V 1:100. DATUM: 60.000



COVER LEVEL		66.639		66.897		64.720		64.789		64.475		61.705	
INVERT LEVEL		64.492		64.016		63.114		62.383		62.002		61.705	
DEPTH (m)		1.076		1.270		1.481		1.606		2.474		2.967	
DISTANCE (m)			32.78		35.93		18.14		52.50		38.10		29.67
PIPE SLOPE			1:60		1:60		1:60		1:80		1:100		1:100
PIPE SIZE			150mm		150mm		150mm		150mm		225mm		225mm

P03	23-02-22	Formal Submission	PLY	NOH
P02	09-09-21	CDS Update	PLY	NOH
P01	07-07-21	ISSUED FOR PLANNING	GIS	NOH
rev	date	description	by	chkd.
		A - Approved		
		B - Approved with comments		
		C - Do not use		
client approval				
suitability	SO - WORK IN PROGRESS		issue purpose	
			PLANNING	

DBFL Consulting Engineers
Civil, Structural & Transportation Engineering
www.dbfl.ie

DUBLIN OFFICE: Ormond House, Upper Ormond Quay, Dublin 7, D07 W704
PHONE +353 1 450 4000
CORK OFFICE: 14 South Mall, Cork, T12 CT91
PHONE +353 21 2624538
WATERFORD OFFICE: Suite 10 The Arkun, Maritime Gate, Canada Street, Waterford, X91 WC28
PHONE +353 51 309 500

project ref.
RESIDENTIAL DEVELOPMENT AT SHACKLETON ROAD, BALLYMAKEALY UPPER, CELBRIDGE, CO. KILDARE

drawing title
FOUL LONGSECTION SHEET 2

client
GLENVEAGH HOMES LTD

designed by	author	scale	sheet size
NOH	JJB	VALUE	A1
drawing no.		revision	
200114-DBFL-FW-SP-DR-C-3312		P03	